

HUBER+SUHNER FIBER OPTICS



Data sheet

Ⓒ Data sheet: Optical Distribution Rack ODR 900F

Ⓓ Datenblatt: Optischer Hauptverteiler ODR 900F

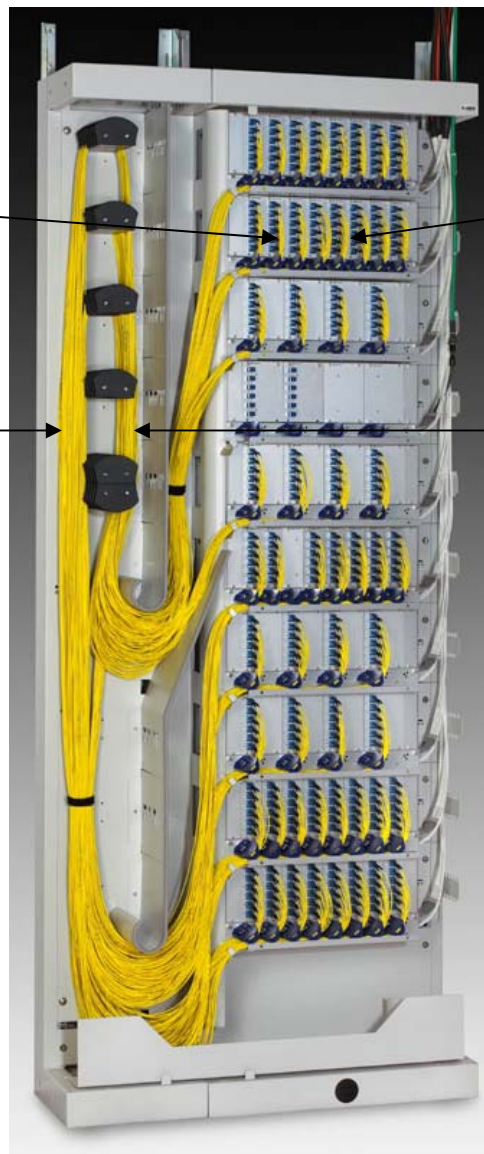
Ⓒ

Up to 10 subracks 900F and one patchcord routing channel or up to 11 subracks without patchcord routing channel

Patchcord standard length for internal patching from line to system side: 4.5m; recommended patchcord diameter: 2.4mm

Max. Capacity:
960 fibers with MCM
480 fibers with SCM
(10 subracks and 1 channel)

MCM: MultiCircuit Management
SCM: SingleCircuit Management



Ⓓ

Bis zu 10 Baugruppenträger 900F und eine Rangierung oder bis zu 11 Baugruppenträger ohne Rangierung

Rangierkabelänge für Linie zu Systemseite: 4.5m; empfohlener Rangierkabel-durchmesser: 2.4mm

Max. Kapazität:
960 Fasern mit MCM
480 Fasern mit SCM
(10 Baugruppenträger und 1 Querrangierung)

MCM: Mehrfasermanagement
SCM: Einzelfasermanagement

WAIVER

While the information contained in this folder has been carefully compiled to the best of our present knowledge, it is not intended as representation or warranty of any kind on our part regarding the suitability of the products concerned for any particular use or purpose and neither shall any statement contained herein be construed as a recommendation to infringe any industrial property rights or as a license to use any such rights. The suitability of each product for any particular purpose must be checked beforehand with our specialists.

Document No.: **01.05.L151**
Issued: **05.12.2003 / THS**
Checked/released: **05.12.2003 / RAN**

Modification No.: **e**
Last amended: **28.09.2004 / THS**
Page **1 of 5**



HUBER+SUHNER AG
Fiber Optics Division
CH-9100 Herisau
Phone +41 (0)71 353 41 11
Fax +41 (0)71 353 46 47
www.hubersuhner.com/lisa



GB

General Features

- Modular and flexible system that grows with your network
- MultiCircuit and SingleCircuit fiber management and a combination of both
- Separation of incoming and outgoing fiber, top or bottom cable entry
- Bending radius control throughout; 35mm for fibers and patchcords and 45mm for loose tubes
- Management of loose tubes and pre-terminated cables
- Intelligent variants for storing, routing and cross-connecting fiber optic patchcords
- Generous frontal patchcord management
- Integration of standard and SFF connectors
- High fiber density without compromising performance, reliability or handling
- Easy installation and handling by only one person

Features of the base racks

- Composed of one base rack 600 and one base rack 300
- Arrangement of the patchcord management on the left side of the subracks
- C shaped base racks with rear-mounted rails (ETS) for excellent front access
- Rear fixings standard 19" for base rack 600
- Lateral and backside mounting of further racks including mounting material
- Hammer head stampings to mount cables at head and base of frame, right- and left-aligned
- Fast and easy installation or removal of side walls and doors with spring bolts
- Telescopic mounting angle with cable bracket for overhead fixing to a maximum height of 2.76m
- Leveling with height adjustable feet
- Base racks include 30 cage nuts M6
- Doors with 1 handle, 2 locks and 2 keys
- Earthing of all parts to the base rack

D

Generelle Leistungsmerkmale

- Modular und flexibles System, das mit Ihrem Netzwerk wächst
- Mehrfaser-, Einzelfaser-Management und eine Kombination von beiden
- Trennung von ankommenden und abführenden Fasern, oben- oder liegender Kabeleingang
- Durchgehende Biegeradiusbegrenzung; 35mm für Fasern und Rangierkabel und 45mm für Bündeladerkabel
- Management von Bündeladerkabel und vorkonfektionierten Kabel
- Intelligente Varianten zur Speicherung, Weitergabe und Verbindung von Rangierkabel
- Grosszügiges Rangierkabelmanagement mit Zugriff von vorne
- Integration von Standard- und SFF-Verbinder
- Hohe Faserdichte ohne Verminderung von Leistung, Zuverlässigkeit und Handhabung
- Einfache Installation und Handhabung durch einzelne Person

WAIVER

While the information contained in this folder has been carefully compiled to the best of our present knowledge, it is not intended as representation or warranty of any kind on our part regarding the suitability of the products concerned for any particular use or purpose and neither shall any statement contained herein be construed as a recommendation to infringe any industrial property rights or as a license to use any such rights. The suitability of each product for any particular purpose must be checked beforehand with our specialists.

Document No.: 01.05.L151
Issued: 05.12.2003 / THS
Checked/released: 05.12.2003 / RAN

Modification No.: e
Last amended: 28.09.2004 / THS
Page 2 of 5



HUBER+SUHNER AG
Fiber Optics Division
CH-9100 Herisau
Phone +41 (0)71 353 41 11
Fax +41 (0)71 353 46 47
www.hubersuhner.com/lisa



Leistungsmerkmale von den Gestellen

- Bestehend aus einem Grundgestell 600 und einem Grundgestell 300
- Anordnung vom Rangierkabelmanagement links von den Baugruppenträgern
- C-Gestell ohne vordere Holme (ETS) für hervorragenden Zugriff von vorne
- Rückwärtige Befestigung Standard 19" bei Grundgestell 600
- Seitliche und rückseitige Montage von weiteren Grundgestellen inkl. Befestigungsmaterial
- Hammerkopfstanzungen zur Befestigung von Kabel jeweils an Kopf- und Bodenrahmen rechts- oder linksbündig
- Einfache und schnelle Montage und Demontage der Seitenwände und Türe
- Ausziehbare Befestigungswinkel mit Kabelbügel für Anbindung an den Flächenrost bis max. 2.76m Höhe
- Nivellierung durch höhenverstellbare Füße
- 30 Käfigmuttern M6 zur Bauteilmontage an die Holme
- Türen mit einem Griff, zwei Schlösser und zwei Schlüssel
- Erdung von allen Teilen zum Grundgestell

GB

Technical data		Value
Dimensions (WxDxH)		900 x 300 x 2200mm
Materials		Steel powder coated
Weights	Base rack 600	28.1kg
	Front door 600	11.3kg
	Side wall 300	6.0kg
	Rear wall 600	9.9kg
	Base rack 300	23.9kg
	Front door 300	6.0kg
	Rear wall 300	4.9kg
Color		pearl white (RAL 7035)
Ordering code		See next pictures

D

Technische Daten		Wert
Dimensionen (BxTxH)		900 x 300 x 2200mm
Materials		Stahl pulverbeschichtet
Gewichte	Grundgestell 600	28.1kg
	Fronttür 600	11.3kg
	Seitenwand 300	6.0kg
	Rückwand 600	9.9kg
	Grundgestell 300	23.9kg
	Fronttür 300	6.0kg
	Rückwand 300	4.9kg
Farbe		perlweiss (RAL 7035)
Bestellcode		Siehe nächste Abbildungen

WAIVER

While the information contained in this folder has been carefully compiled to the best of our present knowledge, it is not intended as representation or warranty of any kind on our part regarding the suitability of the products concerned for any particular use or purpose and neither shall any statement contained herein be construed as a recommendation to infringe any industrial property rights or as a license to use any such rights. The suitability of each product for any particular purpose must be checked beforehand with our specialists.

Document No.: **01.05.L151**
 Issued: **05.12.2003 / THS**
 Checked/released: **05.12.2003 / RAN**

Modification No.: **e**
 Last amended: **28.09.2004 / THS**
 Page **3** of **5**

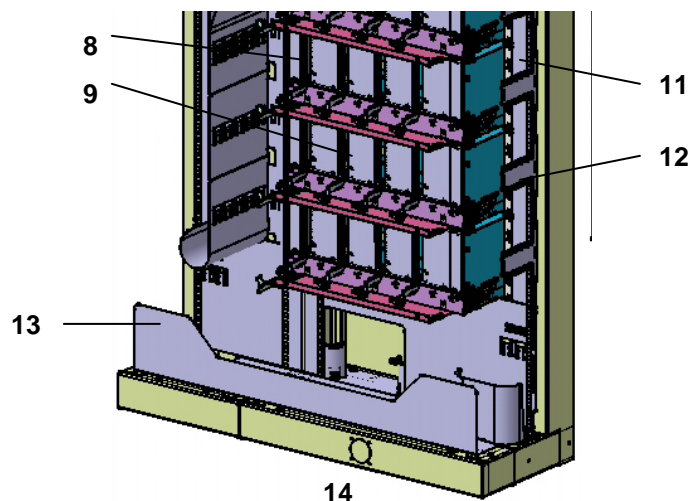
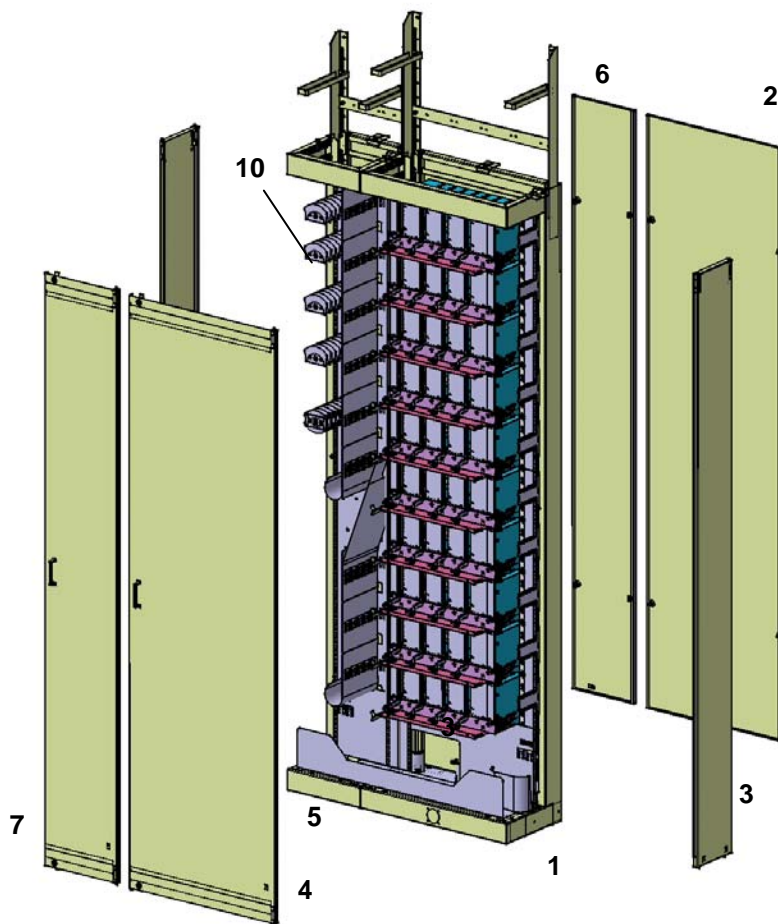


HUBER+SUHNER AG
 Fiber Optics Division
 CH-9100 Herisau
 Phone +41 (0)71 353 41 11
 Fax +41 (0)71 353 46 47
www.hubersuhner.com/lisa

HUBER+SUHNER FIBER OPTICS



Data sheet



WAIVER

While the information contained in this folder has been carefully compiled to the best of our present knowledge, it is not intended as representation or warranty of any kind on our part regarding the suitability of the products concerned for any particular use or purpose and neither shall any statement contained herein be construed as a recommendation to infringe any industrial property rights or as a license to use any such rights. The suitability of each product for any particular purpose must be checked beforehand with our specialists.

Document No.: **01.05.L151**
Issued: **05.12.2003 / THS**
Checked/released: **05.12.2003 / RAN**

Modification No.: **e**
Last amended: **28.09.2004 / THS**
Page **4** of **5**



HUBER+SUHNER AG
Fiber Optics Division
CH-9100 Herisau
Phone +41 (0)71 353 41 11
Fax +41 (0)71 353 46 47
www.hubersuhner.com/lisa

HUBER+SUHNER FIBER OPTICS



LISA Data sheet

(GB)

Pos.	Description	Type (data sheet)	Part no.	Number for completely populated rack
1	Base rack 600	ODRF-FRAME-600X300X2200-A1	23040045	1
2	Back wall 600	ODRF-P-R-600X2200-A1	23040054	1
3	Side wall 300	ODRF-P-S-300X2200-A1	23040055	2
4	Front door 600	ODRF-FD-SF-600X2200-A1	23040053	1
5	Base rack 300	ODRF-FRAME-300X300X2200-A1	23040048	1
6	Back wall 300	ODRF-P-R-300X2200-A1	23040050	1
7	Front door 300	ODRF-FD-SF-300X2200-A1	23040049	1
8	Subrack 900F	(01.05.L154)		10
9	Compact module	(01.05.L021/L071)		MCM=80, SCM=40
10	Patchcord management 900	(01.05.L155)		1
11	Cable mounting plate	(01.05.L109)		2
12	Cable bracket	(01.05.L110)		10
13	Patchcord routing channel 900	(01.05.L156)		1
14	Power socket Germany	ODRF-ACC-600-SOCK-DE	84003760	-
14	Power socket Switzerland	ODRF-ACC-600-SOCK-CH	84003761	-

(D)

Pos.	Bezeichnung	Typ (Datenblatt)	Artikelnummer	Anzahl für komplett bestückten Schrank
1	Grundgestell 600	ODRF-FRAME-600X300X2200-A1	23040045	1
2	Rückwand 600	ODRF-P-R-600X2200-A1	23040054	1
3	Seitenwand 300	ODRF-P-S-300X2200-A1	23040055	2
4	Fronttür 600	ODRF-FD-SF-600X2200-A1	23040053	1
5	Base rack 300	ODRF-FRAME-300X300X2200-A1	23040048	1
6	Back wall 300	ODRF-P-R-300X2200-A1	23040050	1
7	Front door 300	ODRF-FD-SF-300X2200-A1	23040049	1
8	Baugruppenträger 900F	(01.05.L154)		10
9	Kompaktmodul	(01.05.L021/L071)		MCM=80, SCM=40
10	Rangierkabel-Management 900	(01.05.L155)		1
11	Kabelbefestigungsplatte	(01.05.L109)		2
12	Kabelhalter	(01.05.L110)		10
13	Querrangierung 900	(01.05.L156)		1
14	Steckdose Deutschland	ODRF-ACC-600-SOCK-DE	84003760	-
14	Steckdose Schweiz	ODRF-ACC-600-SOCK-CH	84003761	-

WAIVER

While the information contained in this folder has been carefully compiled to the best of our present knowledge, it is not intended as representation or warranty of any kind on our part regarding the suitability of the products concerned for any particular use or purpose and neither shall any statement contained herein be construed as a recommendation to infringe any industrial property rights or as a license to use any such rights. The suitability of each product for any particular purpose must be checked beforehand with our specialists.

Document No.: **01.05.L151**
 Issued: **05.12.2003 / THS**
 Checked/released: **05.12.2003 / RAN**

Modification No.: **e**
 Last amended: **28.09.2004 / THS**
 Page **5** of **5**



HUBER+SUHNER
 Fiber Optics Division
 CH-9100 Herisau
 Phone +41 (0)71 353 41 11
 Fax +41 (0)71 353 46 47
www.hubersuhner.com/lisa